

Product data sheet

Characteristics

TM5SE11C02505

Counter module, Modicon TM5, 1 HSC incremental, 250 KHz



Product availability: Non-Stock - Not normally stocked in distribution facility

Price*: 1330.00 USD



Main

Range of product	Modicon TM5
Product or Component Type	Counter module
Function of module	2 x 24 V DC RS422 sink auxiliary inputs 24 V DC encoder power supply
Discrete input number	1
Counting frequency	250 KHz
Encoder type	1 incremental encoder

Complementary

Range Compatibility	Modicon LMC058 Modicon M258
Product Compatibility	Motion controller Logic controller
Counter inputs resolution	16 bits/32 bits
Maximum cycle time	2 Ms
Isolation	500 Vrms AC insulation between channel and bus
Discrete input logic	Sink
Input resistance	7.19 KOhm
Maximum power dissipation in W	1.51 W
Marking	CE

The information provided in this documentation contains general descriptions and/or technical characteristics of the performance of the products contained herein. This documentation is not intended as a substitute for and is not to be used for determining suitability or reliability of these products for specific user applications. It is the duty of any such user or integrator to perform the appropriate and complete risk analysis, evaluation and testing of the products with respect to the relevant specific application or use thereof. Neither Schneider Electric Industries SAS nor any of its affiliates or subsidiaries shall be responsible or liable for misuse of the information contained herein. *Prices are indicative

Environment

Standards	UL 508 CSA C22.2 No 142 CSA C22.2 No 213 IEC 61131-2
Product Certifications	CULus C-tick GOST-R CSA
Ambient Air Temperature for Storage	-13...158 °F (-25...70 °C)
Operating altitude	0...6561.68 ft (0...2000 m)
Storage altitude	0.00...9842.52 Ft (0...3000 m)
Electromagnetic compatibility	EN/IEC 61000-4-6
Disturbance radiated/conducted	CISPR 11

Ordering and shipping details

Category	22532 - M258 PLC
Discount Schedule	PC12
GTIN	3595864074832
Nbr. of units in pkg.	1
Package weight(Lbs)	1.41 Oz (40 g)
Returnability	No
Country of origin	AT

Packing Units

Unit Type of Package 1	PCE
Package 1 Height	0.79 In (2 cm)
Package 1 width	2.36 In (6 cm)
Package 1 Length	4.13 In (10.5 cm)
Unit Type of Package 2	S02
Number of Units in Package 2	97
Package 2 Weight	9.04 Lb(US) (4.1 kg)
Package 2 Height	5.91 In (15 cm)
Package 2 width	11.81 In (30 cm)
Package 2 Length	15.75 In (40 cm)

Offer Sustainability

Sustainable offer status	Green Premium product
California proposition 65	WARNING: This product can expose you to chemicals including: Lead and lead compounds, which is known to the State of California to cause cancer and birth defects or other reproductive harm. For more information go to www.P65Warnings.ca.gov
REACH Regulation	REACH Declaration
REACH free of SVHC	Yes
EU RoHS Directive	Pro-active compliance (Product out of EU RoHS legal scope) EU RoHS Declaration
Toxic heavy metal free	Yes
Mercury free	Yes
RoHS exemption information	Yes
China RoHS Regulation	China RoHS Declaration
Environmental Disclosure	Product Environmental Profile
Circularity Profile	End Of Life Information

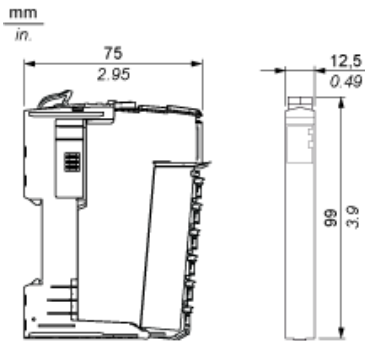
WEEE	The product must be disposed on European Union markets following specific waste collection and never end up in rubbish bins.
PVC free	Yes

Contractual warranty

Warranty	18 months
----------	-----------

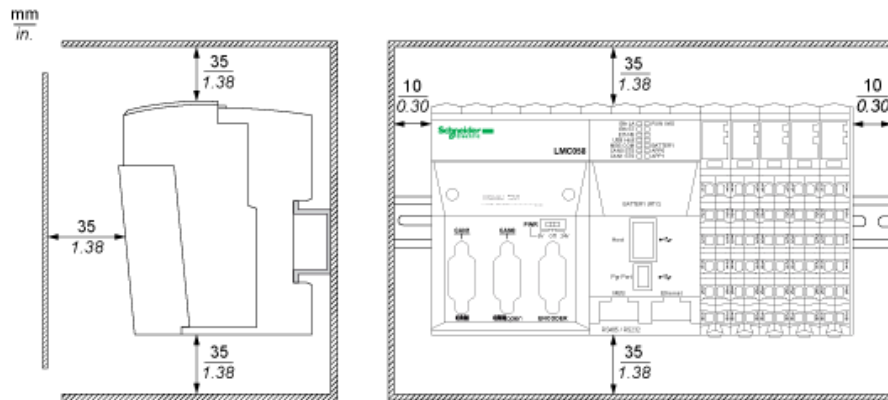
TM5 Slice

Dimensions

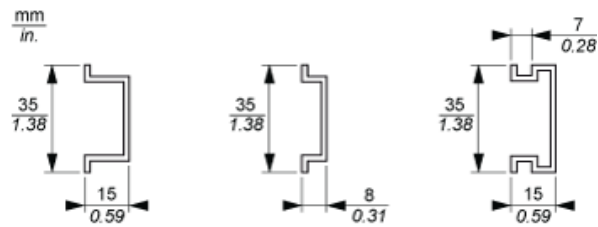


TM5 System

Spacing Requirements

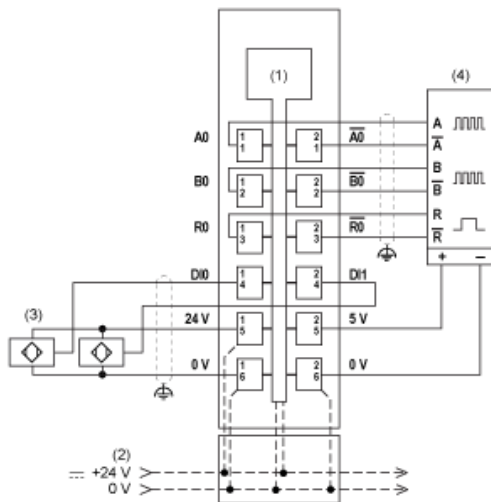


Mounting on a DIN Rail



Electronic Module 1 HSC INC 250 KHz

Wiring Diagram



- 1 Internal electronics
- 2 24 Vdc I/O power segment integrated into bus base
- 3 3-wire sensor
- 4 Encoder

Product Life Status : **Commercialised**